



# 7000 Series

## Advanced Indicators



T71XW Indicator



T71P Indicator

### Advanced Multifunctional Indicators for Demanding Industrial Applications

The OHAUS 7000 series of multifunctional indicators is ideal for a range of applications in production, packaging, warehouse, inventory, shipping and receiving areas. Ideal for bench and floor scale use, the 7000 series is available in both a dry-use, ABS plastic housing as well as a NEMA4X/IP66 water resistant stainless steel housing. Both housings feature large, bright dual line backlit displays, raised tactile keys, battery-powered use (optional on T71XW), and are easy set-up and use. The 7000 series is the solution to your weighing indicator applications that require multiple functions, rugged construction, comprehensive yet intuitive software and multiple connectivity options.

#### Standard Features Include:

- T71P features a high-impact, durable ABS plastic housing with reversible rear cover for either wall, column, scale front, or table-top mounting
- T71XW features an NEMA 4X/IP66 water resistant stainless steel housing with integral faceplate supports for easy servicing
- 50,000d maximum displayed weighing resolution with temporary display of 10x readability in weighing mode using quick key press.
- 1:10,000 NTEP certified / Measurement Canada approved resolution
- Quick display of results using large dual line LCD with high-contrast white backlight
- Easy to operate with positive feedback 5-function key and alpha-numeric membrane keypad
- Weighs in one or more units: kg, g, lb, oz, lb:oz (decimal), tonnes and user-definable custom unit
- Multiple weighing modes including Counting, Percent Weighing, Dynamic/Animal Weighing, Checkweighing, Display Hold, and Accumulation
- 255 item Library data storage function, with optional Alibi memory kit to store, view and print over 262,000 date and time stamped weighing results
- T71XW includes an internal universal switching power supply with hardwired line cord, T71P has the same internal power supply with universal line cord or can be powered using 6 "C" batteries (80-hour battery life) – Optional NiMH internal rechargeable power pack available for both indicators
- Includes RS232 interface with GMP/GLP data output including date and time, and external analog base input for dual-base counting
- Options include DC relay control kit, AC relay control kit, 2nd RS232 and RS485/422

# 7000 Series Advanced Indicators

## 7000 Series Indicators Offer Multiple Features and Easy Configuration:

To meet different operational needs, the 7000 Series includes a suite of configurable software:

- Counting mode for packaging and inventory control, enabling counting into a container or out of a container for bulk operations. Supports a maximum counting resolution to 1:500,000 (minimum APW equal to 0.1d), selectable auto-optimization of average piece weight (APW). APW data can be displayed at any time using a quick key press.
- Percent Weighing mode for formulation and mixing applications, with display of reference weight with quick key press.
- Dynamic/Animal Weighing with selectable averaging times from 0-60 seconds.
- Checkweighing function for count and weight checking, with display of results using LCD display and red/yellow/green LEDs. Audible beeper can be configured to prompt when weight is within range, under, over, or under or over range. Target values can be displayed at any time using a quick key press.
- Display Hold mode for weighing large packages, holds last stable weight on display until cleared manually or automatically
- Weighs in one or more user-selectable units: kg, g, lb, oz, lb:oz (decimal), tonnes and user-definable custom unit
- Supports GMP/GLP data output with date, time user ID, project ID and scale ID. The Defender 7000 features selectable print options for data and print format
- Software lockouts for menu items as well as individual key functions to limit operator access to functions.
- Library storage for up to 255 memory records that may contain data from a combination of different modes. These reference data can be quickly and conveniently recalled for use with the active mode.
- Multi-language feature allows the user to display operation and menu text in the language of their choice: English, Spanish, French, German, Italian. This allows for convenience and ease of training and operation of the Defender 7000.
- Accumulation mode with statistics feature allows totalizing weight and count values manually or automatically. The total accumulated value is displayed in real-time. With the press of the "Info" key, the number of weighments, average, standard deviation, minimum, maximum and difference are displayed. These statistical values can also be printed.
- Dual scale connections are built-in for 2-scale counting configuration. Connect two bases, a higher resolution base to optimize average piece weight, in conjunction with a large capacity base to weigh/count in bulk.
- Store, view and print over 262,000 date and time-stamped weighing results with the optional Alibi memory kit.

### Options and Accessories

#### Interface Options

	OHAUS Number
AC Relay Kit, T71P/T71XW.....	80500720
DC Relay Kit, T71P/T71XW.....	80500727
RS485/422 Interface Kit, T71P/T71XW.....	80500731
RS232 Interface Kit, T71P/T71XW.....	80500733
Foot Switch.....	71173378

#### Power Options

Rechargeable Battery Kit, T71P/T71XW.....	80500729
---	----------

#### Mounting Accessories

Wall Mount Kit, T71P.....	72200227
Wall Mount Kit, T71XW.....	80500735
Base Mount Kit, T71P.....	80500722
Column Mount Kit, 35cm, painted, T71.....	80500723
Column Mount Kit, 68cm, painted, T71.....	80500724
Column Mount Kit, 35cm, stainless steel, T71.....	80500725
Column Mount Kit, 68cm, stainless steel, T71.....	80500726

Compatible with all existing columns for Champs-CD/CW11/CD3X/CKW

### Other Accessories

	OHAUS Number
Compact Dot Matrix Impact Printer.....	80252042
Compact Thermal Printer.....	80251992
OHAUS Collect Software.....	80500746
Alibi Memory Option Kit.....	80500503
TAL Software WinWedge.....	SW12W
Paper for Printer, 80252042 (1 roll).....	80251932
Ribbon for Printer, 80252042.....	80251933
RS232 Cable & Adapter, 80252042 Printer to T71XW.....	80252574
RS232 Cable, PC 9 Pin to T71XW.....	80500552
RS232 Cable, PC 25-pin to T71XW.....	80500553
RS232 Cable & Adapter, 80252042 Printer to T71P.....	80252571
RS232 Cable, PC 9-pin to T71.....	80500525
RS232 Cable, PC 25-pin to T71P.....	80500524

## Standard Features:

### Optional NiMH Battery

Allows for use in environments where an electrical outlet may not be readily available

### Internal Slot for Capacity Label

Protects label from the effects of moisture and external environments

### Stainless Steel 304 NEMA 4X/IP66 Enclosure

Indoor/outdoor protection against falling dirt, rain, sleet, snow, windblown dust, splashing and corrosion



### 3-Color LED Checkweigh Indication

with configurable beeper alert

### High-Visibility Dual Line LCD Display

with bright white LED backlight. Fast display stable weight within 2 seconds

### Included Table/Wall Mount Bracket

With large ergonomic adjustable knobs to maximize viewing angles

### Library Data Storage Function

Storage and quick recall of data records for up to 255 items

### Hinged Front Cover

Only four sealing screws secure the housing for ease of servicing, while still ensuring IP66 seal integrity



### Universal Switching Power Supply

Automatically adapts to different voltages from 100-240 VAC; plug anywhere, anytime

### One-Key, Multiple Mode Selection

Counting, Dynamic Weighing, Display Hold, Percent Weighing and Checkweighing

### Stay Connected/Output

Built in RS232 bi-directional interface and built-in external input, optional RS422/485, optional second RS232 and optional AC or DC relay. Optional Alibi memory kit for data recording and traceability

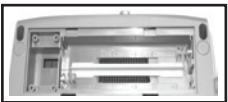
### High-Visibility Dual Line LCD Display

with bright white LED backlight and fast display stable weight within 2 seconds

### Internal Slot for Capacity Label

Protects label from the effects of moisture and external environments

### Simple Plug-In Battery Installation



Use six C-alkaline batteries or the optional NiMH battery

### Reversible Rear Housing

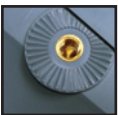
Cables can exit above (table or front scale mounting) or below (wall or bench scale mounting) for convenient mounting. Front scale mounting with available accessory. Internal structural ribs provide strength and minimize flexing.

### 3-Color LED Checkweigh Indication

with configurable beeper alert

### Included Table/Wall Mount Bracket

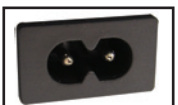
With large ergonomic adjustable knobs to maximize viewing angles. A ratchet-type angle adjustment with metal inserts ensure that viewing angles are set securely, and lasts a long time even with frequent adjustments



angles are set securely, and lasts a long time even with frequent adjustments

### Universal Switching Power Supply

100-240 VAC with AC line cord; no need for an external AC adapter!



### Stay Connected/Output

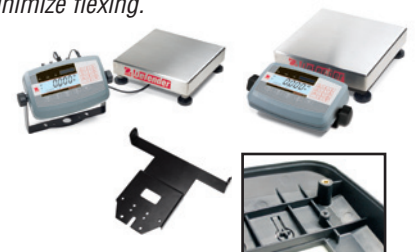
Built in RS232 bi-directional interface and built-in external input, optional RS422/485, optional second RS232 and optional AC or DC relay. Optional Alibi memory kit for data recording and traceability

### One-Key, Multiple Mode Selection

Counting, Dynamic Weighing, Display Hold, Percent Weighing and Checkweighing

### Library Data Storage Function

Storage and quick recall of data records for up to 255 items

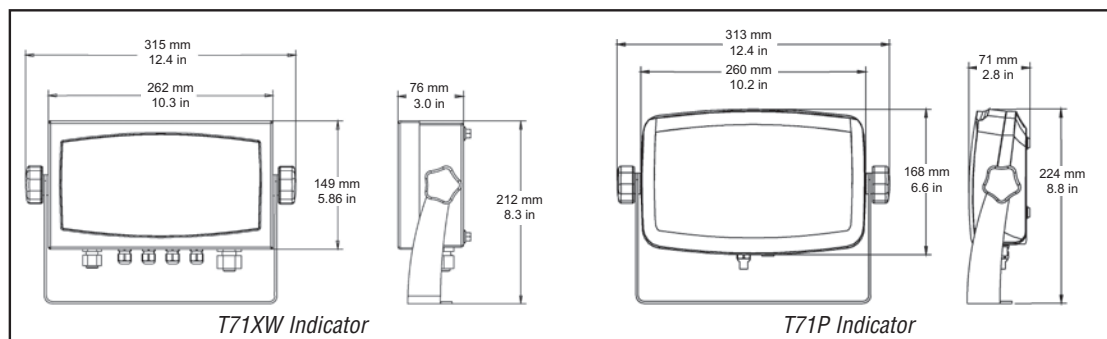


# 7000 Series Advanced Indicators

## Specifications

Indicator Models	T71P	T71XW
Capacity Range	1 to 999,950 kg/lb	
Maximum Displayed Weighing Resolution	1:50,000	
Maximum Displayed Counting Resolution	1:500,000	
Certified/Approved Resolution	1:10,000	
Minimum Average Piece Weight (APW)	0.1d	
Weighing Units	kg, lb, g, oz, lb:oz, tonnes, custom	
Modes/Features	Static Weighing (single or dual range), Dynamic Weighing, Counting, Checkweighing, Percent Weighing, Display Hold, Accumulation, Library	
Housing	ABS plastic with reversible rear cover	304 stainless steel enclosure, NEMA 4X / IP66
Display	6-digit, 7-segment LCD, 25mm/1 inch high primary digits, dual line, with high-contrast white LED backlight	
Checkweigh Indication	3-color checkweigh LED with configurable beeper signal	
Keypad	Positive feedback membrane keys, 5 function keys and alpha-numeric keypad	
Load Cell Excitation Voltage	5V DC	
Load Cell Drive	Up to 8 x 350 ohm load cells	
Load Cell Input Sensitivity	Up to 3 mV/V	
Stabilization Time	Within 2 seconds	
Auto-Zero Tracking	Off, 0.5, 1 or 3d	
Zeroing Range	2% or 100% of capacity	
Calibration	Span: 1kg or 1lb to 100% of capacity / Linearity: 3 or 5 point	
Interface	Built-in RS232 and External Tare Input included Optional 2nd RS232, RS422/485, AC Relay or DC relay available	
Overall Dimensions (inc. bracket) (W x D x H)	10.2 x 2.7 x 8.8 in / 260 x 71 x 224 mm	10.3 x 3 x 8.7 in / 262 x 76 x 212 mm
Enclosure Dimensions (W x D x H)	10.2 x 2.7 x 6.6 in / 260 x 71 x 168 mm	10.3 x 3 x 5.8 in / 262 x 76 x 149 mm
Net Weight	3.3 lb / 1.5 kg	7.7 lb / 3.5 kg
Shipping Weight	5.0 lb / 2.3 kg	9.5 lb / 4.3 kg
Shipping Dimensions (W x D x H)	13 x 9.5 x 7 in / 330 x 240 x 180 mm	
Operating Temperature Range	14°F to 104°F / -10°C to 40°C	
Relative Humidity Range	Maximum 80% up to 88°F/31°C, decreasing linearly to 50% at 104°F/40°C	
Power	100-240 VAC / 50-60 Hz Internal universal power supply, line cord 6 'C' cell batteries (not supplied) with 80 hour life Opt. Int. rechargeable NiMH battery (10-hr. typical operation)	100-240 VAC / 50-60 Hz Internal universal power supply, hardwire cord Opt. Int. rechargeable NiMH battery (10-hr. typical operation)

## Outline Dimensions



## Other Features

Zero point calibration, calibration test, span or linear calibration, selectable auto-zero tracking range, selectable stability range, selectable averaging level, selectable LCD backlight, selectable auto shutoff, retain zero weight data after power-off, Geo gravity adjustment, selectable key beep, key function lock, menu lock, selectable power-on and calibration unit, battery status display, display of gross/net weight, indication of stability, center of zero, over- and underweight, overload and underload conditions. Configuration menus for PRINT1, PRINT2, COM1, COM2, and I/O.

## Compliance

- **Legal for Trade:** NTEP (COC No. 09-102) / Measurement Canada (AM-5762)
- **Safety and EMC:** UL<sub>US</sub> 2005/95/EC low voltage directive: EN60950-1:2001, FCC Part 15 Class A 2004/108/EC EMC directive: EN61326-1:1997; +A1:1998; +A2:2001; +A3>2003
- **Other:** Compliant to Directive 2002/96/EC on waste electrical and electronic equipment (WEEE)
- **Quality:** OHAUS quality management system registered to ISO 9001:2008

## OHAUS CORPORATION

\* 7 Campus Drive  
Suite 310  
Parsippany, NJ 07054 USA

Tel: 800.672.7722  
973.377.9000  
Fax: 973.944.7177

[www.ohaus.com](http://www.ohaus.com)

With offices throughout Europe,  
Asia, and Latin America

\* **ISO 9001**  
Registered Quality Management System

